

## VXR



### Digital Radiography System for Veterinary Hospitals

In recent veterinary practice, Digital Radiography (DR) is rapidly becoming the new standard to replace the traditional film-based x-ray technology. VXR is a Digital Radiography system based on CCD or FPDs for veterinary hospital use.

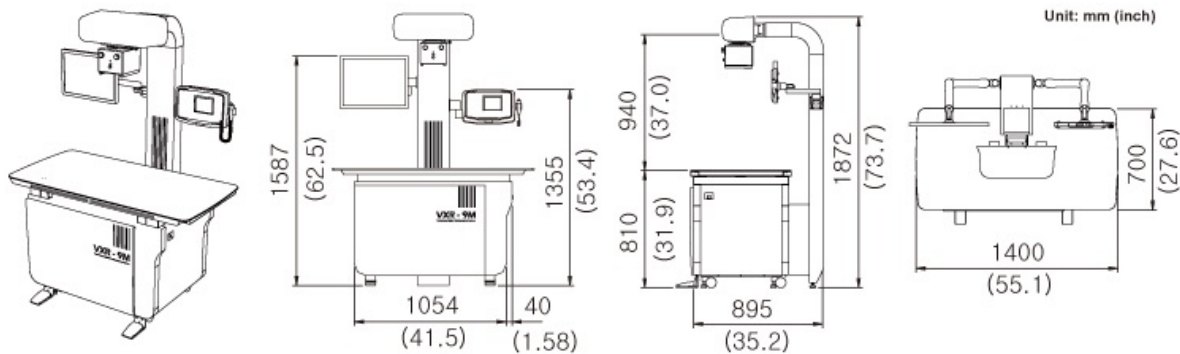
Digital image receptor (CCD or FPDs) and imaging software of VXR system allows you to digitally enhance and annotate images, provides on-screen measurements and transmits images for referrals and consultations. VXR system comes complete with the digital imaging receptor (CCD or FPDs), table, generator, workstation and a full software package.

#### Features

- VXR is designed to provide customers with the high performance DR equipment at affordable price.
- Furthermore VXR provides high quality images for all diagnostic purposes.
- The wide dynamic range of the detector allows the user to adjust the brightness and contrast in the image effectively. Consequently much more diagnostic information from the image can be obtained.
- The image software, MAXXvue or QXvue, in VXR has been widely used in the veterinary DR systems already and has an excellent reputation in the market.



- The x-ray generator mounter and table are designed to enable the easy washing of the room floor on which the system is installed.
- Considering the generally inadequate input power at most of the veterinary clinics, the x-ray generator is designed to output a high rating at a long exposure time, which makes possible to obtain an excellent quality image for even big animals.
- With the remote diagnostic function of the x-ray generator, customer service can be provided quickly wherever the VXR is installed.



## Specifications

### High Frequency X-Ray Generator

- Output Rating: 40 kW
- kVp Range: 40 to 125 kV, 1kV step
- Time Range: 0.001 to 10 sec
- mA Range: 10 to 500mA
- HV Cable: 8 meters
- Generator Mounter: Provided
- Line Normal, Phase: 230VAC, 1 $\phi$ , 50/60Hz

### X-Ray Tube

- Anode Heat Storage Capacity: 140KHU
- Housing Heat Store Capacity: Min. 1,250KHU
- Focal Spot: 0.6 – 1.02 mm

### Collimator

- Manual collimator with light field
- Swivel mount
- Field light
- Long life "soft-start" bulb circuit

### Tube Stand & Table

- SID: fixed 1,000 mm



- 4-way moving table top: 56 in. x 24 in.
- Enclosed table base with rounded corners for operator safety
- No-rust exterior
- Concealed power cables
- Radiation and noise suppression covers
- Table level animal restraining device
- Exposure foot switch with 20 ft. cord
- Weight: 180kg (397lb)



**Digital Image Receptor**

Select one of the following options:

**CCD (Charge Couple Device)**

	VXR-6M	VXR-9M
Active Image Size	14"x17" (35 x 43 cm)	17"x17" (43 x 43 cm)
Image Matrix	6 Mega Pixels (active: 2,048 x 2,478)	9 MegaPixels (active: 3,072 x 3,072)
Image Resolution	3.1 lp/mm	3.5 lp/mm
Grid	180 lpi	200lpi
Dynamic Range	16-bit grayscale	16-bit grayscale

**FPD (Flat Panel Detector)**

- Scintillator: Gadox (CsI, optional)
- Effective Imaging Area: 430 mm x 430 mm
- 3,072 x 3,072 matrix, 14bit AD conversion
- 140 micron pixel pitch
- Image acquisition and transfer time: 3seconds
- Less than 7 sec. between two exposures
- 3.5 lp/mm spatial resolution

**Imaging Workstation**

- PC with 250 GB HD, 2 GB RAM (WINDOW 7)
- 10/100/1000 network card
- DVD+/- RW/CD-RW
- Keyboard and mouse
- Holds approximately 5,600 images



- Monitor: 2 megapixel resolution, 20 in. flat panel monitor, LCD color, DVI, 800:1 contrast ratio

