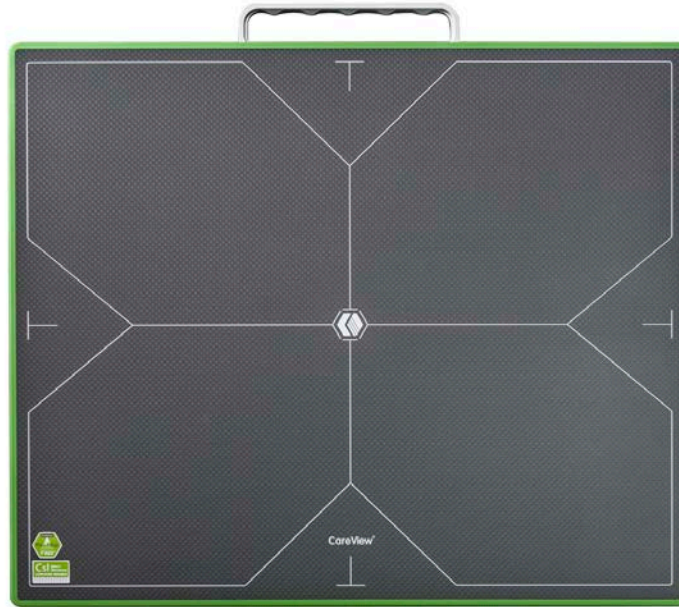


## CareView 1500Cw



### 14"x17" Cassette-Size Wireless Detector

The 1500Cw is a wireless cassette-sized flat panel detector easily fits into standard bucky tray cabinets for upgrading a film or CR system to a DR system. Lightweight, slim design with award winning (Italy) built-in foldable handle, rubber insulated frame and high strength aluminum-alloy case ensure safe and convenient operation and moves. F2AED<sup>®</sup> eliminates wiring to the generator.

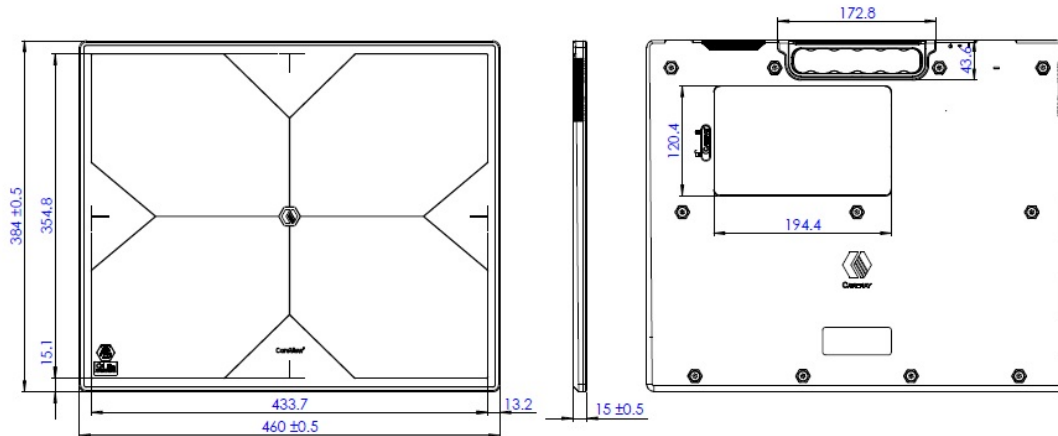
Dual-band wireless acquisition and transfer of a full resolution image in ~4 seconds. Extra-long battery life. Optional Touch-n-Shoot Trigger Top to extend battery life further. Standard Gigabit Ethernet port for optional wired operation.

#### Features

- Application: general radiography.
- 14"x17" cassette-sized wireless detector easily fits into standard bucky tray cabinets.
- Automatic Exposure Detection (F2AEDTM ) technology eliminates wiring to the generator.
- Light-weight and slim design with built-in foldable handle.



- Rubber insulated frame and high strength aluminum-alloy case.
- Extra-long battery life with 1400 shots/charge (10 sec interval between shots) and 7 hours stand-by time.



## Specifications

- Scintillator: CsI Direct Deposit
- Active Area: 434x355mm<sup>2</sup> / 14"x17"
- Pixel Array: 2816x2304
- Pixel Pitch: 154µm
- Limiting Resolution: 3.3lp/mm
- Grayscale: 16 bits
- Image Acquisition Time: 2.-3s (wired) / 4-5s (Wireless)
- Communication Interface: Gigabit Ethernet
- Dimension: 460x384x15mm<sup>3</sup> (15"x18"x0.6")
- Weight: 3.7Kg
- Housing Material: Carbon fiber front / High Strength aluminum alloy back
- Power Supply: 100-240V AC
- Frequency: 50/60Hz

